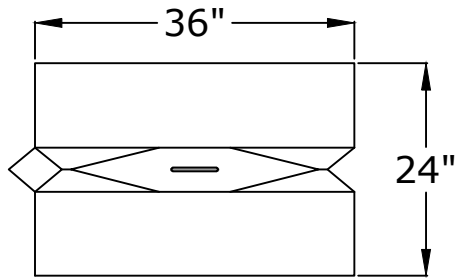
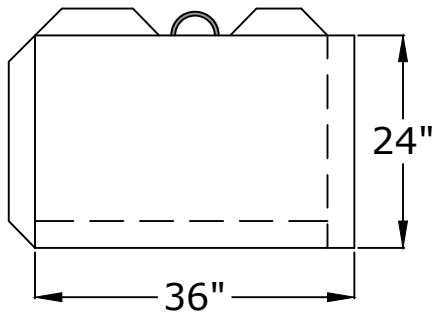


Top View



Side View



**Approved for Production**

Project: \_\_\_\_\_

Date: \_\_\_\_\_

Quantity: \_\_\_\_\_

By: \_\_\_\_\_

**BARGER**  
**PRECAST**

**Specifications**

**Concrete:** 5,000 psi minimum 28 day compressive strength

**Barger Bin Block**  
**3' L x 2' W x 2' T**

C.R. Barger & Sons, Inc.  
P.O. Box 370 - Kingston TN 37763  
Phone 888.882.5860 - BargerAndSons.com

Date: 8.032021

Drawn By: Eric Barger

Approx. Weight: 1,716 lb