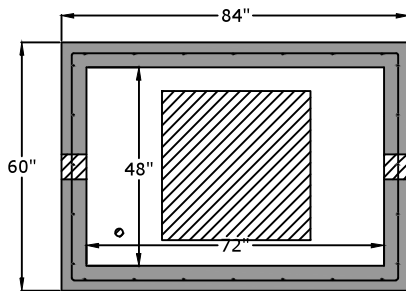
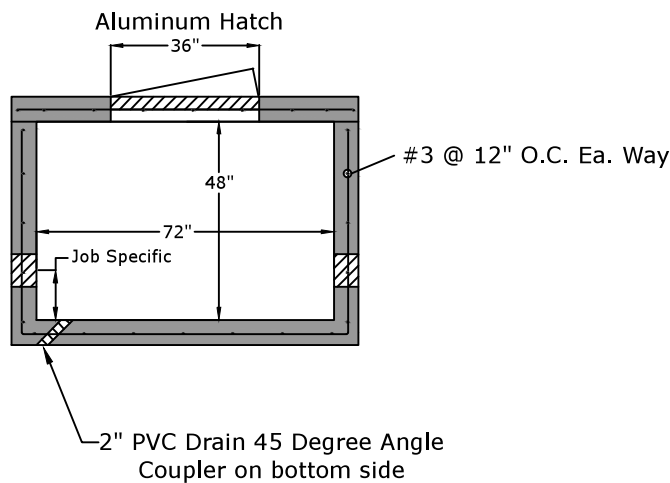


Top View



Side View



Approved for Production

Project: _____

Date: _____

Quantity: _____

By: _____



C.R. Barger & Sons, Inc.
P.O. Box 370 - Kingston TN 37763
Phone 888.882.5860 - BargerAndSons.com

Specifications

Concrete: 5,000 psi minimum strength (28 day)
Reinforcing: Primary reinforcement will be a #3 rebar (Grade 60) rebar. An H-20 traffic version is available.
Pipe Penetrations: The inlet and outlet are fitted with solid seals (4" D.I.P. - 10" D.I.P.) unless otherwise specified. All pipe penetrations are placed according to job requirements.
Pipe Stands: Adjustable height pipe stands will be provided to support assembly if required.
Sealant: Sealant used will meet or exceed ASTM C990.
Steps: If required, the steps will be aligned under hatch unless specified.

**4' W x 6' L x 4' T Meter Vault
City of Fayetteville**

Date: 10.162013

Drawn By: Eric Barger

Approx. Vault Weight: 16,000 lbs.