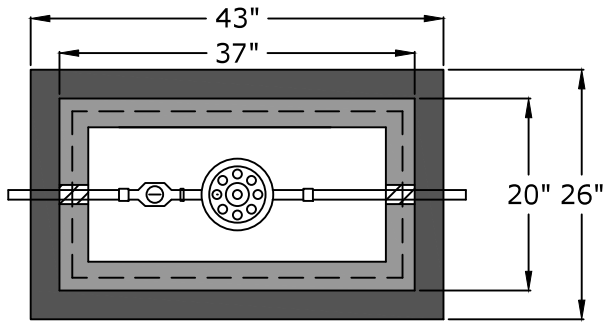
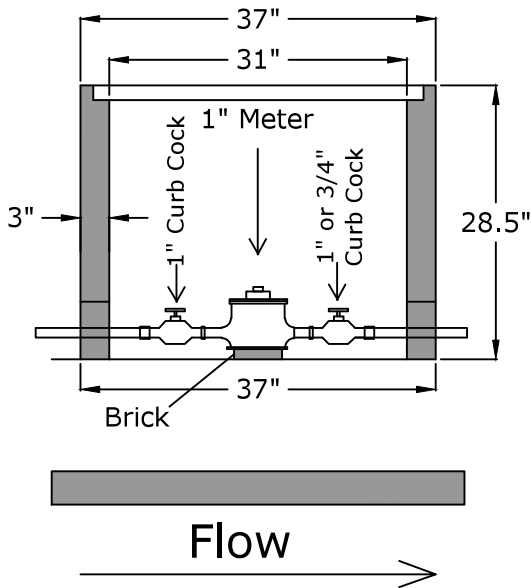


Top View

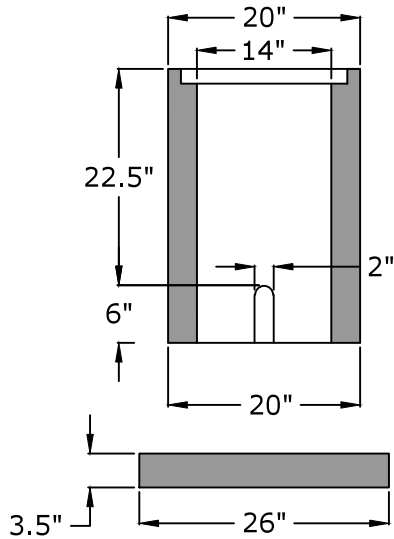


Side View

JBS 8121 Frame and Cover



End View



Approved for Production

Project: _____

Date: _____

Quantity: _____

By: _____



C.R. Barger & Sons, Inc.
 P.O. Box 370 - Kingston TN 37763
 Phone 888.882.5860 - BargerAndSons.com

Specifications

- Concrete:** 5,000 psi minimum strength (28 day)
- Reinforcing:** Primary reinforcement will be a #3 rebar (Grade 60) rebar.
- Pipe Penetrations:** The inlet and outlet are fitted with open slots.
- Sealant:** Sealant, if used, will meet or exceed ASTM C990.

**1" Nashville Meter Vault
 Nashville Metro Water Services Detail**

Date: 11.072008	Drawn By: Eric Barger	Approx. Vault Weight: 1200 lbs.
-----------------	-----------------------	---------------------------------