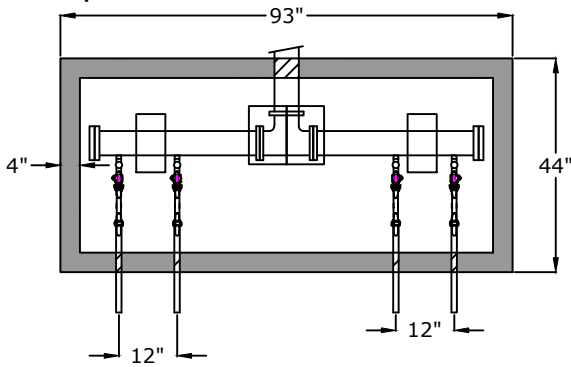
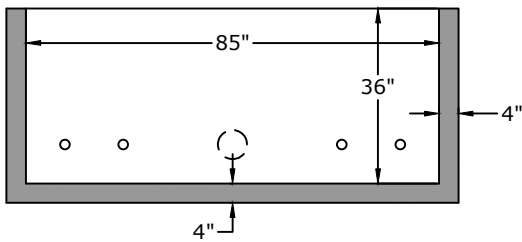


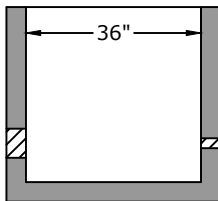
Top View



Side View

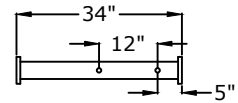


End View



1. (1) 3" Flg x PE 3'-0" spool piece
2. (5) Flange kits
3. (1) 3" Flange tee
4. (2) 3" Flg x Flg 2'-10" with two  $\frac{3}{4}$ " CC taps
5. (2) 3" Blind flange
6. (4) 3" x  $\frac{3}{4}$ " NPT  $\frac{3417}{3415}$  saddle OD range 3.45 - 4.05
7. (4)  $\frac{3}{4}$ " x 4" brass nipple
8. (4) AYM34583476101MW  $\frac{3}{4}$  x  $\frac{5}{8}$  x  $\frac{3}{4}$  ball valve FIP x MSN
9. (4)  $\frac{3}{4}$ " meter idler
10. (4)  $\frac{5}{8}$ " x  $\frac{3}{4}$ " meter + MXu provided by Metro
11. (4) AYM34583476110MWQ  $\frac{3}{4}$  x  $\frac{5}{8}$  x  $\frac{3}{4}$  ball valve QJC x MSN
12. (1) Halliday S1K3584CBD 35" x 84" S1K F+C 316SS

Pipe detail for taps



Approved for Production

Project: \_\_\_\_\_

Date: \_\_\_\_\_

Quantity: \_\_\_\_\_

By: \_\_\_\_\_

**BARGER**  
PRECAST

Specifications

- Concrete:** 5,000 psi minimum strength (28 day)  
**Pipe Penetrations:** All pipe penetrations are placed according to job requirements.  
**Pipe Stands:** Adjustable height pipe stands can be provided to support assembly.  
**Sealant:** Sealant used will meet or exceed ASTM C990.

**4 Gang Meter Vault - Nashville Metro**  
**36" W x 85" L x 36" T**

C.R. Barger & Sons, Inc.  
 P.O. Box 370 - Kingston TN 37763  
 Phone 888.882.5860 - BargerAndSons.com

Date: 11.212017

Drawn By: Eric Barger

Approx. Vault Weight: 4,600 lbs.