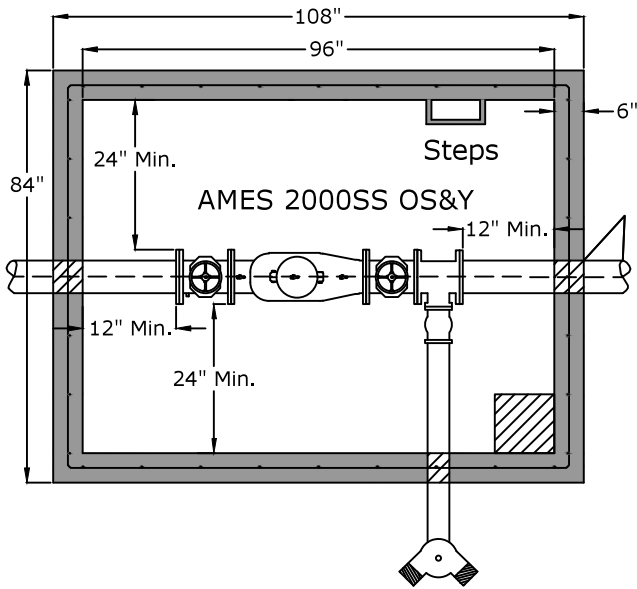


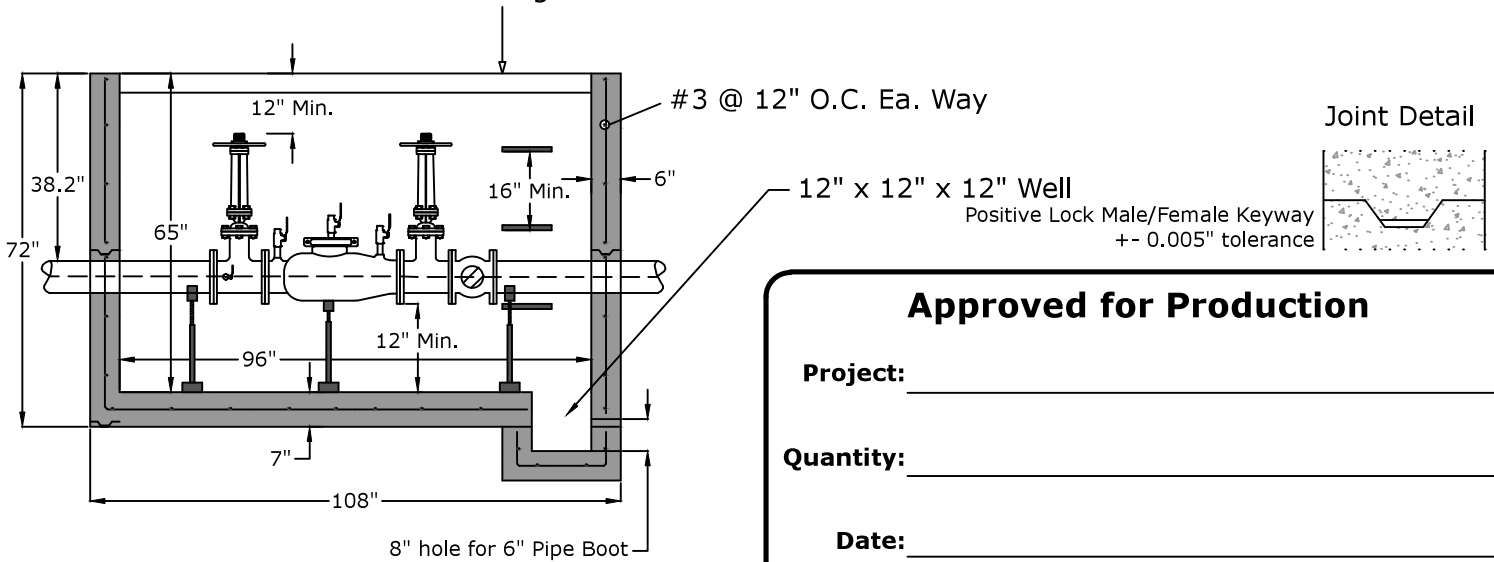
Top View



1. AMES 2000SS OS&Y Backflow Preventer
2. UL/FM 4" Swing Check Valve
3. 4" Siamese Connection

Side View

Removable Aluminum Cover with Hinged Section



Approved for Production

Project: _____

Quantity: _____

Date: _____

By: _____



C.R. Barger & Sons, Inc.
 P.O. Box 370 - Kingston TN 37763
 Phone 888.882.5860 - BargerAndSons.com

Specifications

- Concrete:** 5,000 psi minimum strength (28 day)
- Reinforcing:** Primary reinforcement will be a #3 rebar (Grade 60) rebar.
- Pipe Penetrations:** The inlet and outlet are fitted with solid seals that meet or exceed ASTM C923 (4" D.I.P. - 10" D.I.P.). All pipe penetrations are placed according to job requirements.
- Pipe Stands:** Adjustable height pipe stands will be provided to support assembly.
- Sealant:** Sealant used will meet or exceed ASTM C990.
- Steps:** Aligned under hatch unless specified.

8' x 6' Backflow Preventer Vault - 6"
 Nashville Metro Water Services Detail

Date: 10.012008 Drawn By: Eric Barger Approx. Vault Weight: 18,000 lbs.