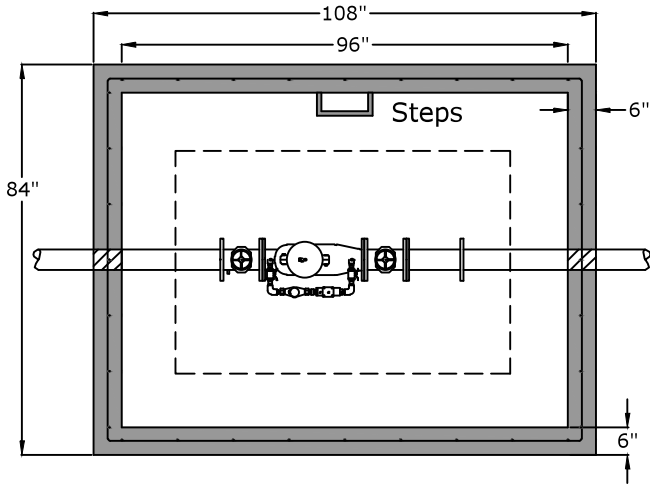
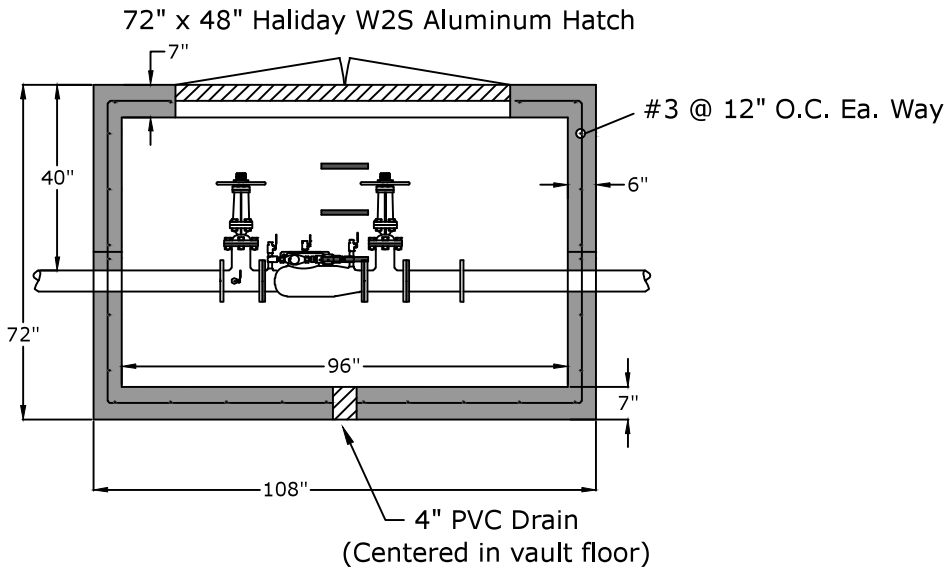


Top View



Side View



Approved for Production

Project: _____

Date: _____

Quantity: _____

By: _____



C.R. Barger & Sons, Inc.
P.O. Box 370 - Kingston TN 37763
Phone 888.882.5860 - BargerAndSons.com

Specifications

Concrete: 5,000 psi minimum strength (28 day)
Reinforcing: Primary reinforcement will be a #3 rebar (Grade 60) rebar.
Pipe Penetrations: The inlet and outlet are fitted with solid seals that meet or exceed ASTM C923 (4" D.I.P. - 10" D.I.P.). All pipe penetrations are placed according to job requirements.
Pipe Stands: If required, adjustable height pipe stands will be provided to support assembly.
Sealant: Sealant used will meet or exceed ASTM C990.
Steps: Aligned under hatch unless specified.

**8' x 6' - 6" Double Detector Check Vault
Spring Hill Utility District**

Date: 9.022014

Drawn By: Eric Barger

Approx. Vault Weight: 18,000 lbs.