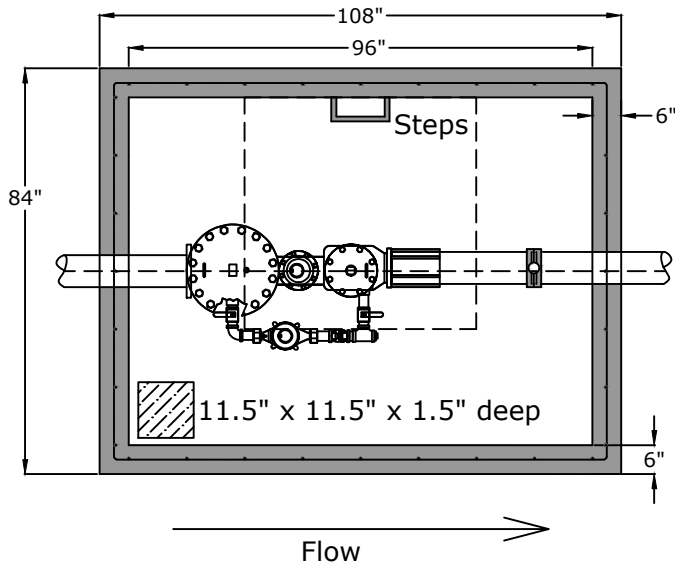


Top View

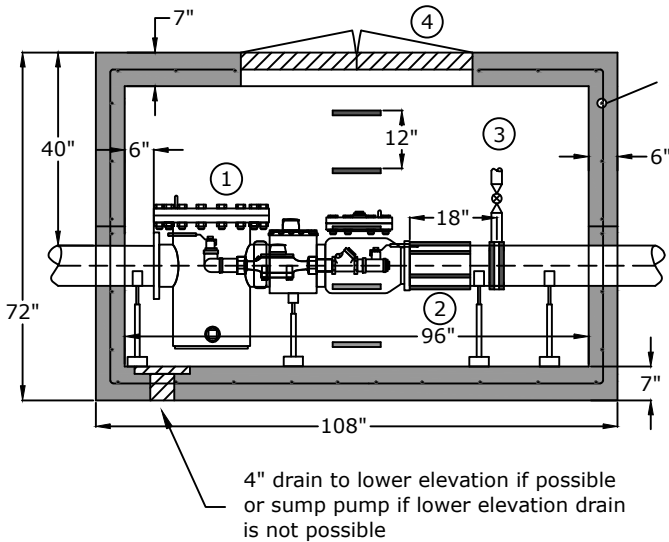


Sensus Meter FireLine Assembly
with dismantling joint

1. Sensus Meter fireline series
2. Dismantling joint
3. 2" test assembly, 2" tap is to be made a minimum of 3 pipe diameters downstream of meter assembly.
4. Precast concrete vault manufactured by C.R. Barger & Sons, Inc. with Halliday channeled framed aluminum hatch or equal centered and sized to allow removal of meter.

Side View

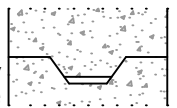
Halliday hatch or approved equal placed
and sized to remove meter



#3 @ 12" O.C. Ea. Way

Joint Detail

Positive Lock Male/Female Keyway
+/- 0.005" tolerance



Approved for Production

Project: _____

Quantity: _____

Date: _____

By: _____

BARGER
PRECAST

FORTILINE
WATERWORKS

a MORSCO company

C.R. Barger & Sons, Inc.
P.O. Box 370 - Kingston TN 37763
Phone 888.882.5860 - BargerAndSons.com

Specifications

- Concrete:** 5,000 psi minimum strength (28 day)
Reinforcing: Primary reinforcement will be a #3 rebar (Grade 60) rebar.
Pipe Penetrations: The inlet and outlet are fitted with solid seals that meet or exceed ASTM C923 (4" D.I.P. - 10" D.I.P.). All pipe penetrations are placed according to job requirements.
Pipe Stands: Adjustable height pipe stands will be provided to support assembly.
Sealant: Sealant used will meet or exceed ASTM C990.
Steps: Aligned under hatch unless specified.

8' x 6' Fire Meter Box - 8"
White House Utility District

Date: 12.092008

Drawn By: Eric Barger

Approx. Vault Weight: 18,000 lbs.